



GRAND-DUCHÉ DE LUXEMBOURG

Ministère du Développement durable  
et des Infrastructures  
Département des Transports

L-2938 Luxembourg

SOCIÉTÉ NATIONALE DE  
CERTIFICATION ET D'HOMOLOGATION  
s.à r.l.

Registre de Commerce: B 27180

L-5201 Sandweiler



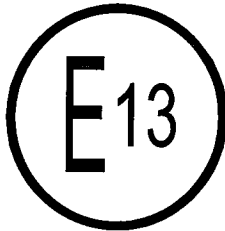
**Référence:** E13\*22R00\*22R05\*10201\*00

**Annexes:** - Rapport technique  
- Fiche de renseignements du constructeur

Sandweiler, le 24 juillet 2014

**Communication concernant <sup>(2)</sup>:**

Communication concerning <sup>(2)</sup>:



- **la délivrance d'une homologation**  
approval granted
- **l'extension d'homologation**  
approval extended
- **le refus d'homologation**  
approval refused
- **le retrait d'homologation**  
approval withdrawn
- **l'arrêt définitif de la production**  
production definitely discontinued

**d'un type de casque de protection sans / avec / un / plusieurs / type(s) d'écran  
en application du Règlement N°22**  
of a type of protective helmet without / with / one / more / visor type(s) pursuant to regulation N°22

**Homologation N°:**

Approval number:

E13\*22R00\*22R05\*10201\*00

**Marque(s) d'homologation:**

Approval mark(s):

**Casque:**

Helmet:



0510201/P-XXXX  
FF352

**Ecran(s):**

Visor(s):

refer to manufacturer's information document

**1. Marque de fabrique ou de commerce:**

Trade mark:

MHR

**Marque(s) de commerce:**

Commercial mark(s):

LS2

**2. Type:**

FF352

**Version(s):**

not applicable

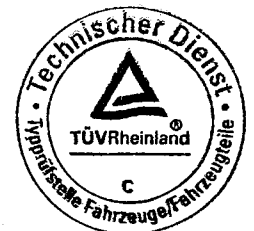
**Dénomination(s) commerciale(s):**

Commercial description(s):

not applicable



3. **Tailles:**  
Sizes: XS54, S56, M58, L60, XL61, XXL61
4. **Nom du fabricant:**  
Manufacturer's name: Jiangmen Pengcheng Helmets Ltd.
5. **Adresse du fabricant:**  
Address of manufacturer: Ind. Park East, Gonghe Town, Heshan, Jiangmen City, Guangdong Province 529728, P.R. China
6. **Le cas échéant, nom de son représentant:**  
If applicable, name of manufacturer's representative: not applicable
7. **Adresse du représentant:**  
Address of manufacturer's representative: not applicable
8. **Description sommaire du casque:**  
Brief description of helmet: The integral-faced helmet FF352 is composed of ABS shell (Acrylonitrile-Butadiene-Styrene), with the chin guard. The protective padding is made of one EPS (Expanded Poly Styrene) size liner, one EPS crown liner at the top area, two EPS side liners and one EPS chin liner. The adoption to the different head sizes is done by different thickness of the size liner, and different thickness of the comfort padding.
9. **Casque ~~dépourvu de protection maxillaire (J)~~ muni d'une protection maxillaire intégrale (P) d'une protection maxillaire non intégrale (NP) <sup>(2)</sup>:**  
Helmet ~~without lower face cover (J)~~ with protective lower face cover (P) with non-protective lower face cover (NP) <sup>(2)</sup>: with protective lower face cover (P)
10. **Type de l'écran ou des écrans:**  
Type of visor or visors: FF-MHR-15
11. **Description sommaire de l'écran ou des écrans:**  
Brief description of visor or visors: Clear visor, made of Polycarbonate (PC) with hardened coating on the surface, and a thickness of 2.0 mm
12. **Présenté à l'homologation le:**  
Submitted for approval on: 23.07.2014
13. **Autorité déléguée:**  
*Assigned authority:* Société Nationale de Certification et d'Homologation L-5201 Sandweiler
- Service technique chargé des essais d'homologation:**  
Technical service responsible for conducting approval tests: TÜV Rheinland Luxembourg GmbH  
2a, Kalchesbruck  
L-1852 Luxembourg
14. **Date du procès-verbal délivré par ce service:**  
Date of report issued by that service: 24.07.2014
15. **Numéro du procès-verbal délivré par ce service:**  
Number of report issued by that service: 85-R22-301/14-00
16. **Remarques:**  
Comments: not applicable
17. **Homologation <sup>(2)</sup>:**  
Approval <sup>(2)</sup>: granted / extended / refused / withdrawn



18. **Lieu:** Sandweiler  
Place:
19. **Date:** 24 juillet 2014  
Date:
20. **Signature:**  
Signature:

Pour le Département des Transports



Marco FELTES  
Inspecteur Principal 1<sup>er</sup> en rang

Pour la SNCH



Claude LIESCH  
Directeur



21. **Les documents suivants portant le numéro d'homologation indiqué ci-dessus peuvent être obtenus sur demande:**  
The following documents, bearing the approval number shown above, are available on request:

see: INDEX to TYPE-APPROVAL REPORT

**Modifications faisant l'objet de la présente extension:**  
*Reason for extension:*

*not applicable*



(2) **Biffer les mentions inutiles.**  
Strike out what does not apply.



GRAND-DUCHÉ DE LUXEMBOURG

Ministère du Développement durable  
et des Infrastructures  
Département des Transports

L-2938 Luxembourg

SOCIÉTÉ NATIONALE DE  
CERTIFICATION ET D'HOMOLOGATION  
s.à r.l.

Registre de Commerce: B 27180

L-5201 Sandweiler



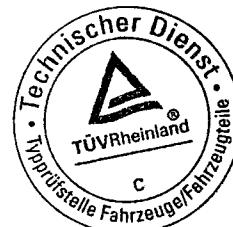
**Référence:** E13\*22R00\*22R05\*10201\*00

**Annexes:** - Rapport technique  
- Fiche de renseignements du constructeur

Sandweiler, le 24 juillet 2014

## INDEX DU DOSSIER D'HOMOLOGATION INDEX TO TYPE-APPROVAL REPORT

<b>Numéro d'homologation:</b> Approval number:	E13*22R00*22R05*10201*00
<b>Révision:</b> Revision:	00
<b>Marque de fabrique ou de commerce:</b> Trade name or mark:	MHR
<b>Type:</b> Type:	FF352
<b>1. Procès-verbal d'essai:</b> Test report:	N° 85-R22-301/14-00
- Technical report:	Pages 1 to 4;
- List of modifications:	Appendix 0 page 5;
- Technical information:	Appendix L page 6;
- Test minutes:	Appendix 1 pages 7 to 14.
<b>2. Dossier du constructeur:</b> Report of the manufacturer:	N° MHR-FF352-00
- Index to the information folder:	Refer to contents of manufacturer's information document.
<b>3. Autres documents annexés:</b> Other documents annexed:	not applicable
<b>4. Date de délivrance de l'homologation initiale:</b> Date of issue of initial type approval:	24.07.2014
<b>5. Date de la dernière délivrance de pages révisées:</b> Date of last issue of revised pages:	not applicable
<b>6. Date de la dernière délivrance d'une homologation révisée:</b> Date of last extension:	not applicable



## TEST REPORT

according with ECE-Regulation

### Protective helmets and their visors for drivers and passengers of motor cycles and mopeds

#### ECE-R22

including all amendments

#### Amend. 05, Suppl. 2

E13\*22R00\*22R05\*10201\*00

Société Nationale de Certification et d'Homologation

L-5201 SANDWEILER (Luxembourg)

Organisme accrédité OLAS EN 45011

Accréditation N° 5/001 (Portée communiquée sur demande)

Previously granted
--------------------

ECE – approval	:	---
----------------	---	-----

Structure of report :

0. General
1. Test object(s)
2. Test minutes
3. Comments to test object
4. Appendices
5. Statement of conformity

Manufacturer : Jiangmen Pengcheng Helmets Ltd.  
Type : FF352

**0. General**

- 0.1. Trade name or mark : MHR  
Commercial mark(s) : LS2
- 0.2. Type : FF352  
Commercial description(s) : ---  
Version(s) : ---
- 0.3. Helmet category : P (acc. 5.1.4.1.2.1 of ECE-R22.05)
- 0.4. Name and address of the manufacturer : Jiangmen Pengcheng Helmets Ltd.  
Ind. Park East, Gonghe Town, Heshan,  
Jiangmen City, Guangdong Province 529728,  
P.R. China  
of the authorized representative : Not applicable
- 0.5. Number of information folder : MHR-FF352-00  
Date : July 24, 2014  
Revision status : not applicable

**1. Test object(s)**

**1.1. Description**

- Identification number : Prototype, marking after granting ECE-approval  
Type : FF352
- 1.1.1. Structure of the helmet : The integral-faced helmet FF352 is composed of ABS shell (Acrylonitrile-Butadiene-Styrene), with the chin guard.  
The protective padding is made of one EPS (Expanded Poly Styrene) size liner, one EPS crown liner at the top area, two EPS side liners and one EPS chin liner.  
The adoption to the different head sizes is done by different thickness of the size liner, and different thickness of the comfort padding.
- 1.1.2. Structure of visor : Clear visors, made of Polycarbonate (PC) with hardened coating on the surface, and a thickness of 2.0 mm

Manufacturer : Jiangmen Pengcheng Helmets Ltd.  
Type : FF352

- 1.1.3 List of parts : See information document of the manufacturer
- 1.1.4 Location of the marking : The ECE-label is sewed on the chinstrap.
- 1.1.5. Helmet sizes : XS 54, S 56, M 58, L 60, XL 61, XXL 61
- 1.1.6. material of the outer shell : ABS (Acrylonitrile-Butadiene-Styrene)
- 1.1.7. material of the visor : Polycarbonat (PC)
- 1.1.8. marking of the visor : Approval number  
FF-MHR-15
- 1.2. Remarks : Without
- 2. Test minutes**
- 2.1. Test equipment : The measurement equipment used was in compliance with the test requirements.
- 2.2. Test results
- 2.2.1. Summary of test results : See test minutes Appendix 1
- 2.3. General information about the tests
- 2.3.1. Test object received on : July 23, 2014
- 2.3.2. Test date : July 23, 2014
- 2.3.3. Test site : TÜV Rheinland (Guangdong) Ltd.  
Guangzhou Helmet Laboratory  
Room 103, Building A, No. 11 Jingye 3rd Street,  
Yushu Industrial Park, Guangzhou Science City,  
Guangzhou 510663, P.R. China
- 2.3.4. Remark : The results of the test refer exclusively to the object(s) mentioned at point 1 of this report.

E13\*22R00\*22R05\*10201\*00  
Société Nationale de Certification et d'Homologation  
L-5201 SANDWEILER (Luxembourg)  
Organisme accrédité OLAS EN 45011  
Accréditation N° 5/001 (Portée communiquée sur demande)

Manufacturer : Jiangmen Pengcheng Helmets Ltd.  
Type : FF352

3. Comments to the test object : ---

4. Appendices

0 List of modifications

L Technical description of type and communication concerning the ECE-approval

1 Test minutes : Appendix 1

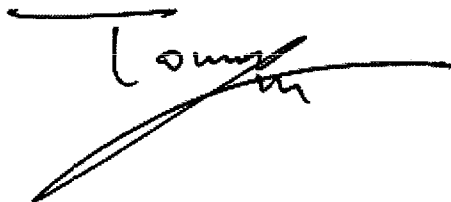
Information folder : MHR-FF352-00 (18 pages)

5. Statement of conformity

The information folder and the type described there comply with the requirements in the above mentioned directive/regulation.

The test report comprises - including appendices 0 to 1 – the pages 1 to 14 and shall not be reproduced except in full without the written approval of the testing laboratory.

Engineering centre Shanghai, July 24, 2014  
TTY / JWP



M.S. Tony Yan  
Expert Technical Service

**Manufacturer : Jiangmen Pengcheng Helmets Ltd.**  
**Type : FF352**



**List of modifications**

**Appendix 0**

Correction of : ---  
Modification of : ---  
Addition of : ---  
Deletion of : ---

E13\*22R00\*22R05\*10201\*00  
Société Nationale de Certification et d'Homologation  
L-5201 SANDWEILER (Luxembourg)  
Organisme accrédité OLAS EN 45011  
Accréditation N° 5/001 (Portée communiquée sur demande)

Manufacturer : Jiangmen Pengcheng Helmets Ltd.  
Type : FF352

Technical description of type and communication concerning  
the ECE-approval

Appendix L

1. Trade mark : MHR
- Commercial mark(s) : LS2
2. Type : FF352
- Commercial description(s) : ---
- Version(s) : ---
3. Sizes : XS 54, S 56, M 58, L 60, XL 61, XXL 61
4. Manufacturer's name : Jiangmen Pengcheng Helmets Ltd.
5. Address : Ind. Park East, Gonghe Town, Heshan,  
Jiangmen City, Guangdong Province 529728,  
P.R. China
6. If applicable, name of manufacturer's representative : Not applicable
7. Address : Not applicable
8. Brief description of helmet : The integral-faced helmet FF352 is composed of ABS shell (Acrylonitrile-Butadiene-Styrene), with the chin guard.  
The protective padding is made of one EPS (Expanded Poly Styrene) size liner, one EPS crown liner at the top area, two EPS side liners and one EPS chin liner.  
The adoption to the different head sizes is done by different thickness of the size liner, and different thickness of the comfort padding.
9. Helmet : With protective lower face cover (P)
10. Type of visor or visors : FF-MHR-15, approval mark E9-05.1551-03
11. Brief description of visor or visors : Clear visors, made of Polycarbonate (PC) with hardened coating on the surface, and a thickness of 2.0 mm
12. Submitted for approval on : July 23, 2014  
E13\*22R00\*2R05\*40201400  
Société Nationale de Certification et d'Homologation  
L-5201 SANDWEILER (Luxembourg)  
Organisme accrédité par le FNRS  
Accréditation N° 5/001 (Portée communiquée sur demande)
14. Date of report issued by that service : July 24, 2014

Manufacturer : Jiangmen Pengcheng Helmets Ltd.  
Type : FF352

**1. General**

**Appendix 1**

- 1.1. Make : MHR
- Commercial mark(s) : LS2
- 1.2. Type : FF352
- Commercial description(s) : ---
- Version(s) : ---
- Technical description helmet : The integral-faced helmet FF352 is composed of ABS shell (Acrylonitrile-Butadiene-Styrene), with the chin guard.  
The protective padding is made of one EPS (Expanded Poly Styrene) size liner, one EPS crown liner at the top area, two EPS side liners and one EPS chin liner.  
The adoption to the different head sizes is done by different thickness of the size liner, and different thickness of the comfort padding.
- Technical description visor : Clear visors, made of Polycarbonate (PC) with hardened coating on the surface, and a thickness of 2.0 mm
- 1.3. Name and address of manufacturer : Jiangmen Pengcheng Helmets Ltd.  
Ind. Park East, Gonghe Town, Heshan,  
Jiangmen City, Guangdong Province 529728,  
P.R. China
- 1.4. Name and address of manufacturer's authorized representative : Not applicable

**2. General arrangement of the helmet**

- 2.1. General requirements : The requirements of the covered zones are fulfilled for all helmet-sizes.  
There are projections of the outer shell, greater than 2 mm. All external projections have a radius  $\geq 1$  mm, respectively  $\geq 2$  mm for external projections which are more than 2 mm above the outer shell.  
The here described parts are rounded and konvex to the outer shell surface. The outer shell is smooth in the meaning of the requirement. Under a load of 150 N the width of the chin strap is  $\geq 20$  mm. The chin strap is covered with an additional comfort padding.

Manufacturer : Jiangmen Pengcheng Helmets Ltd.  
Type : FF352

The helmet is equipped with automatic buckle.  
The free end of the chin strap is adjusted.  
Means are provided to prevent the retention system being completely undone.

Manufacturer-information about size and weight are located on the outer shell by adhesive label(s). Additional consumer information, in accordance to the ECE-R22, is given by the owners manual, which is enclosed to the offered helmet.

The helmet is not equipped with retro reflective parts in accordance to the item 6.16 of the ECE-R22.

2.2. Shock-absorption-tests : The determined values of acceleration were below the limit of 275g at an impact speed of 7,5 m/s (esp. 5,5 m/s at point S). The HIC-values were below the limit of 2400.

helmet size : XS 54  
test-head-size : 54  
anvil : Flat (Helm. 1), Kerbstone (Helm. 2)

Conditioning	Impact point	Res. acceleration [g]	HIC [-]
Helmet 1 Low Temp. (-20°C)	B	196	1573
	X	238	2128
	P	216	2292
	R	185	1622
	S	77	182
Helmet 2 High Temp. (+50°C)	B	131	1003
	X	169	1229
	P	173	1536
	R	134	886
	S	---	---

E13\*22R00\*22R05\*10201\*00  
Société Nationale de Certification et d'Homologation  
L-5201 SANDWEILER (Luxembourg)  
Organisme accrédité OLAS EN 45011  
Accréditation N° 5/001 (Portée communiquée sur demande)

Manufacturer : Jiangmen Pengcheng Helmets Ltd.  
Type : FF352

helmet size : S 56  
test-head-size : 54  
anvil : Flat (Helm. 3), Kerbstone (Helm. 4)

Conditioning	Impact point	Res. acceleration [g]	HIC [-]
Helmet 3 Low Temp. (-20°C)	B	204	1750
	X	238	2124
	P	206	2047
	R	196	1670
	S	89	233
Helmet 4 High Temp. (+50°C)	B	137	1028
	X	169	1221
	P	183	1566
	R	128	876
	S	---	---

helmet size : M 58  
test-head-size : 57  
anvil : Flat (Helm. 5), Kerbstone (Helm. 6)

Conditioning	Impact point	Res. acceleration [g]	HIC [-]
Helmet 5 Low Temp. (-20°C)	B	191	1557
	X	234	1950
	P	218	2205
	R	190	1422
	S	191	650
Helmet 6 High Temp. (+50°C)	B	126	969
	X	176	1107
	P	161	1375
	R	128	910
	S	---	---

E13\*22R00\*22R05\*10201\*00  
Société Nationale de Certification et d'Homologation  
L-5201 SANDWEILER (Luxembourg)  
Organisme accrédité OLAS EN 45011  
Accréditation N° 5/001 (Portée communiquée sur demande)

Manufacturer : Jiangmen Pengcheng Helmets Ltd.  
Type : FF352

helmet size : L 60  
test-head-size : 60  
anvil : Flat (Helm. 7), Kerbstone (Helm. 8)

Conditioning	Impact point	Res. acceleration [g]	HIC [-]
Helmet 7 Low Temp. (-20°C)	B	194	1552
	X	246	2028
	P	229	2290
	R	202	1497
	S	232	613
Helmet 8 High Temp. (+50°C)	B	154	1079
	X	186	1121
	P	155	1332
	R	161	1084
	S	---	---

helmet size : XL 61  
test-head-size : 60  
anvil : Flat (Helm. 9), Kerbstone (Helm. 10)

Conditioning	Impact point	Res. acceleration [g]	HIC [-]
Helmet 9 Low Temp. (-20°C)	B	200	1628
	X	265	2287
	P	226	2206
	R	205	1601
	S	265	843
Helmet 10 High Temp. (+50°C)	B	163	1160
	X	191	1217
	P	166	1390
	R	149	1013
	S	---	---

E13\*22R00\*22R05\*10201\*00  
Société Nationale de Certification et d'Homologation  
L-5201 SANDWEILER (Luxembourg)  
Organisme accrédité OLAS EN 45011  
Accréditation N° 5/001 (Portée communiquée sur demande)

Manufacturer : Jiangmen Pengcheng Helmets Ltd.  
Type : FF352



helmet size : XXL 61  
test-head-size : 60  
anvil : Flat (Helm. 11), Kerbstone (Helm. 12)

Conditioning	Impact point	Res. acceleration [g]	HIC [-]
Helmet 9 Low Temp. (-20°C)	B	212	1675
	X	235	1861
	P	219	2161
	R	206	1512
	S	155	934
Helmet 10 High Temp. (+50°C)	B	146	1085
	X	156	1060
	P	162	1400
	R	164	1164
	S	---	---

helmet size : XXL 61  
test-head-size : 60  
anvil : Flat (Helm. 13), Kerbstone (Helm. 14)

Conditioning	Impact point	Res. acceleration [g]	HIC [-]
Helmet 11 Ambient	B	192	1487
	X	243	1978
	P	215	2042
	R	203	1557
	S	---	---
Helmet 12 Ambient	B	159	1238
	X	186	1240
	P	166	1433
	R	167	1211
	S	---	---

Société Nationale de Certification et d'Homologation  
L-5201 SANDWEILER (Luxembourg)  
Organisme accrédité OLAS EN 45011  
Accréditation N° 5/001 (Portée communiquée sur demande)

Manufacturer : Jiangmen Pengcheng Helmets Ltd.  
Type : FF352

2.3. Dynamical Test of the retention system

Helmet size	XS 54 (with #15 buckle)	XS 54 (with #17 buckle)	Limits
Test head size	54	54	
Dynamic movement (mm)	30.6	31.0	≤ 35 mm
Permanent movement after 2 min. (mm)	12.8	13.1	≤ 25 mm

2.4. Test of field of vision

Helmet size	XS 54	Limits
Test head size	54	
Vertical angle of vision (°)		
Upwards	7	≥ 7°
Downwards	45	≥ 45°
Horizontal angle of vision (°)	210	≥ 210°

2.5. Rigidity-test

Helmet size	XXL 61	Limits
Deformation under load (mm)		
Along the longitudinal axis	12.0	≤ 40 mm
Along the transversal axis	12.0	≤ 40 mm
Permanent deformation after 5 min		
Along the longitudinal axis	4.0	≤ 15 mm
Along the transversal axis	3.0	≤ 15 mm

E13\*22R00\*22R05\*10201\*00  
Société Nationale de Certification et d'Homologation  
L-5201 SANDWEILER (Luxembourg)  
Organisme accrédité OLAS EN 45011  
Accréditation N° 5/001 (Portée communiquée sur demande)

Manufacturer : Jiangmen Pengcheng Helmets Ltd.  
Type : FF352

2.6. Retention (detaching) test

Helmet size	XS 54 (with #15 buckle)	XS 54 (with #17 buckle)	Limits
Test head size	54	54	
Movement of the reference line (°)	28	26	≤ 30°

2.7. Chin strap and buckle test

1.	Operation force of the automatic buckle according 7.11.2. Measured at static load of 150 N	
Helmet size	XS 54	Limits
Test head size	54	
Opening force (N)	#15 buckle: < 30 N #17 buckle: < 30 N	≤ 30 N
2.	Resistance of the automatic buckle according 7.11.2. The load of 2000 N at the automatic buckles made no fracture or disengage. After the test the automatic buckle was still be capable of operation.	
3.	Microslip-test of the chin strap according 7.9	
	#15 buckle < 5.0 mm #17 buckle < 5.0 mm	≤ 10 mm
4.	Abrasion test the chin strap according 7.10. Not necessary in acc. with 7.10 (a), because the movement of the chin strap after 500 cycles was less than 5 mm	

2.8. Shear assessment test for projections or irregularities in the outer surface according 7.4.2

Helmet size	XXL 61	
Test head size	60	
	Test with positive result at the following points of the outer shell:	
1.	Rear air vent sliding tangential at the projection	Positive

2.9. Test for friction assessment in acc. with 7.4.2

The requirements are fulfilled.	
---------------------------------	--

Manufacturer : Jiangmen Pengcheng Helmets Ltd.  
Type : FF352

2.10. Visor tests

1. Mechanical characteristics in acc. to 7.8.2

Helmet size	XXL 61
Test head size	60
Conditioning of the visor	Low temp. (-20 °C)
Visor test piece 1	positive, no penetration, no sharp splinter
Visor test piece 2	positive, no penetration, no sharp splinter
Visor test piece 3	positive, no penetration, no sharp splinter

2. Optical characteristics and scratch resistance in acc. to 7.8.3

Refer to visor type approval E9-05.1551-03

# Jiangmen Pengcheng Helmets Ltd.

Information folder No. MHR-FF352-00

Application date: July 24, 2014

## Content

DOCUMENT	PAGE
Technical description	2-3
Assembly drawing	4
Material list of parts	5
Helmet section view	6
Impact absorption material thickness	7
Dimension and weight of helmet (tolerances incorporated)	8
EPS details	9-10
Retention system	11-12
Retention system position	13
Retention system operation	14-15
Drawings and details for visor	16
Approval marking(s)	17
Helmet assembly pictures	18

E13\*22R00\*22R05\*10201\*00  
Société Nationale de Certification et d'Homologation  
L-5201 SANDWEILER (Luxembourg)  
Organisme accrédité OLAS EN 45011

Accréditation N° 5/001 (Portée communiquée sur le site internet) Type FF352

# Jiangmen Pengcheng Helmets Ltd.

Information folder No. MHR-FF352-00

Application date: July 24, 2014

## INFORMATION DOCUMENT FOR TYPE-APPROVAL OF PROTECTIVE HELMETS AND/ ~~OR<sup>1</sup> OF THEIR VISORS~~ FOR DRIVERS AND PASSENGERS OF MOTOR CYCLES AND MOPEDS

1. Make (trade name or mark of the manufacturer) : MHR  
Commercial mark(s) : LS2
2. Type : FF352  
Commercial description(s) : ---  
Version : ---
3. Sizes : XS 54, S 56, M 58, L 60, XL 61, XXL 61
4. Name of the manufacturer : Jiangmen Pengcheng Helmets Ltd.
5. Address of the manufacturer : Ind. Park East, Gonghe Town, Heshan,  
Jiangmen City, Guangdong Province 529728,  
P.R. China
6. Name of the manufacturer's representative : not applicable
7. Address of the manufacturer's representative : not applicable  
Brief description of the helmet : Protective helmet equipped with visor for  
drivers and passengers of mopeds and  
and / or<sup>1</sup> motorcycles  
Brief description of visor

### NOTE:

<sup>1</sup> striketrough where not applicable

E13\*22R00\*22R05\*10201\*00

Société Nationale de Certification et d'Homologation

L-5201 SANDWEILER (Luxembourg)

Organisme accrédité OLAS EN 45011

Accréditation N° 5/001 (Portée communiquée sur demande)

	Type	FF352
	Page	2 of 18

# Jiangmen Pengcheng Helmets Ltd.

Information folder No. MHR-FF352-00

Application date: July 24, 2014

## ADDITIONAL INFORMATION

~~Helmet without lower face cover (J) / with protective lower face cover (P) / with non protective lower face cover (NP)~~

Type of visor or visors : FF-MHR-15 (E9-05.1551-03)

~~Types of helmet to which the visor may be fitted~~ :

Name and address of assembly plant : Jiangmen Pengcheng Helmets Ltd.  
Ind. Park East, Gonghe Town, Heshan,  
Jiangmen City, Guangdong Province 529728,  
P.R. China

Applicable regulation : ECE-R22, 05 series of amendments

### NOTE:

<sup>1</sup> strike through where not applicable

E13\*22R00\*22R05\*10201\*00  
Société Nationale de Certification et d'Homologation  
L-5201 SANDWEILER (Luxembourg)  
Organisme accrédité OLAS EN 45011  
Accréditation N° 5/001 (Portée communiquée sur demande)

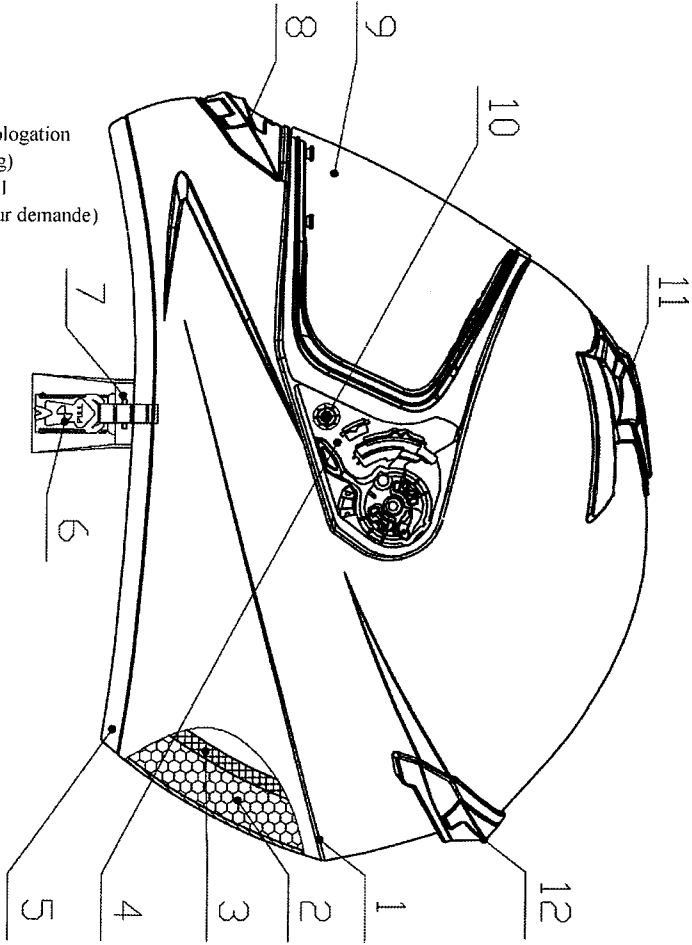
	Type	FF352
	Page	3 of 18

# Jiangmen Pengcheng Helmets Ltd.

Information folder No. MHR-FF352-00

Application date: July 24, 2014

E13\*22R00\*22R05\*10201\*00  
 Société Nationale de Certification et d'Homologation  
 L-5201 SANDWEILER (Luxembourg)  
 Organisme accrédité OLAS EN 45011  
 Accréditation N° 5/001 (Portée communiquée sur demande)



序号 number	名称 name	单位 unit	数量 piece	材料 material
1	壳体 Outer shell	个 piece	1	abs
2	泡沫 protective padding	个 piece	1	eps
3	内衬 comfort padding	套 set	1	nylon
4	底座 Ratchet system	套 set	2	pon
5	下胶边 rubber ring	个 piece	1	abs
6	锁扣 buckle	套 set	1	stainless steel
7	帽带 chin strap	条 unit	2	nylon
8	下巴风窗 mouth vent	套 set	1	abs
9	镜片 visor	个 piece	1	pc
10	螺丝 screw	个 piece	4	a3
11	顶部风窗 top vent	套 set	1	abs
12	后风窗 back vent	个 piece	1	abs

FF352

MODEL	SIZE	XL	XL	L	M	S	XS
CM	61	61	60	58	56	54	

技术要求  
 Technical requirement

1. The surface of the outshell should be smooth and bright no mottle, pinhole, bulib, drop  
 lack of oil, discolor of basic color.  
 2. Every spare parts should be fixed correctly,  
 and not be loose, missed.

DRW.

FF352-01

Assembly Drawing

Type FF352

Page 4 of 18

# Jiangmen Pengcheng Helmets Ltd.

Information folder No. MHR-FF352-00

Application date: July 24, 2014

Part No.	Subject or name	Material
1	Outer shell	ABS
2	Protective padding	EPS
3	Comfort padding	Nylon
4	Ratchet system	POM
5	Rubber trim	ABS
6	Buckle	A3 / stainless steel
7	Chin strap	Nylon
8	Mouth vent	ABS
9	Visor	PC
10	Screw	A3
11	Top vent	ABS / PC
12	Rear vent	ABS / PC

E13\*22R00\*22R05\*10201\*00  
Société Nationale de Certification et d'Homologation  
L-5201 SANDWEILER (Luxembourg)  
Organisme accrédité OLAS EN 45011  
Accréditation N° 5/001 (Portée communiquée sur demande)

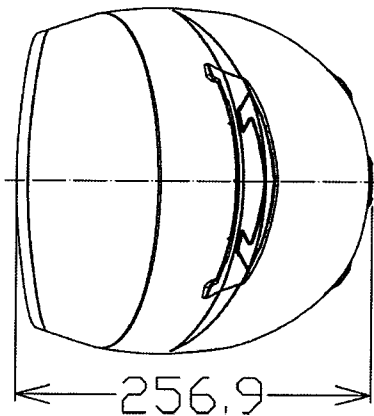
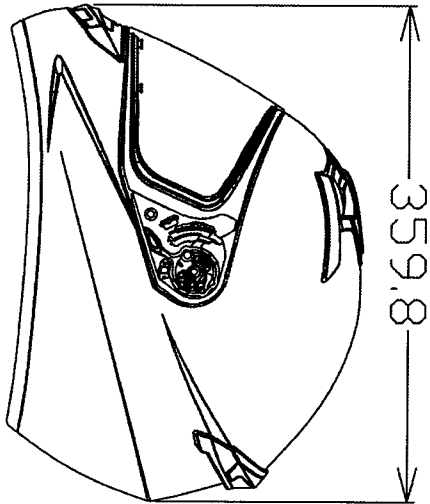
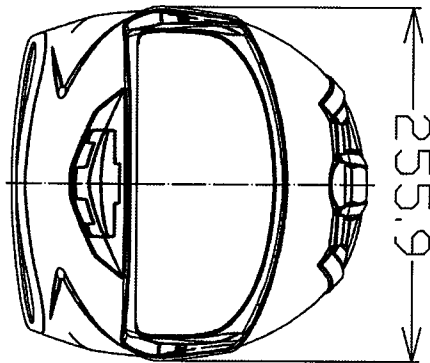
**Material list of parts**

	Type	FF352
	Page	5 of 18

# Jiangmen Pengcheng Helmets Ltd.

Information folder No. MHR-FF352-00

Application date: July 24, 2014



E13\*22R00\*22R05\*10201\*00

Société Nationale de Certification et d'Homologation

L-5201 SANDWEILER (Luxembourg)

Organisme accrédité OLAS EN 45011

Accréditation N° 5/001 (Portée communiquée sur demande)

DRW.	FF352-02	Helmet section view
------	----------	---------------------

	Type	FF352
	Page	6 of 18

# Jiangmen Pengcheng Helmets Ltd.

Information folder No. MHR-FF352-00

Application date: July 24, 2014

## Impact absorption material thickness in millimeter, SHELL

Size	Section B-Point	Section P-Point	Section R-Point	Section X-Point	Lower Face cover
XS	3.9	3.2	3.2	3.2	2.7
S	3.9	3.2	3.2	3.2	2.7
M	3.9	3.2	3.2	3.2	2.7
L	3.9	3.2	3.2	3.2	2.7
XL	3.9	3.2	3.2	3.2	2.7
XXL	3.9	3.2	3.2	3.2	2.7

## Impact absorption material thickness in millimeter, LINER

Size	Section B-Point	Section P-Point	Section R-Point	Section X-Point
XS	38	43	43	26
S	38	43	43	26
M	38	43	43	26
L	35	38	36	21
XL	35	38	36	21
XXL	35	38	36	21

## Impact absorption material thickness in millimeter, LINING

Size	Section B-Point	Section P-Point	Section R-Point	Section X-Point	Side Part Lining
XS	10	20	10	10	35
S	8	20	8	8	32
M	8	20	8	8	30
L	12	20	12	12	35
XL	10	20	10	10	30
XXL	8	20	8	8	25

	Type	FF352
	Page	7 of 18

E13\*22R00\*22R05\*10201\*00

Société Nationale de Certification et d'Homologation

L-5201 SANDWEILER (Luxembourg)

Organisme accrédité OLAS EN 45011

Accréditation N° 5/001 (Portée communiquée sur demande)

# Jiangmen Pengcheng Helmets Ltd.

Information folder No. MHR-FF352-00

Application date: July 24, 2014

## Dimension and weight

### 1. Dimension of the shell:

SIZE	Length (mm)	Width (mm)	Height (mm)
XXL-XS	359.8	255.9	256.9

### 2. Total weight of the helmet:

Size	Weight (g)	Tolerance (g)
XS	1300	± 50
S	1300	± 50
M	1300	± 50
L	1350	± 50
XL	1350	± 50
XXL	1350	± 50

### 3. Specific gravity of the impact absorption liner

Size	Specific gravity of size liner (kg/m <sup>3</sup> )	Specific gravity of side liner (kg/m <sup>3</sup> )	Specific gravity of crown liner (kg/m <sup>3</sup> )
XS	45	55	20
S	45	55	20
M	45	55	20
L	55	80	20
XL	55	80	20
XXL	55	80	20

E13\*22R00\*22R05\*10201\*00

Société Nationale de Certification et d'Homologation

L-5201 SANDWEILER (Luxembourg)

Organisme accrédité OLAS EN 45011

Accreditation N° 5/001 (Portée communiquée sur le site) Type FF352

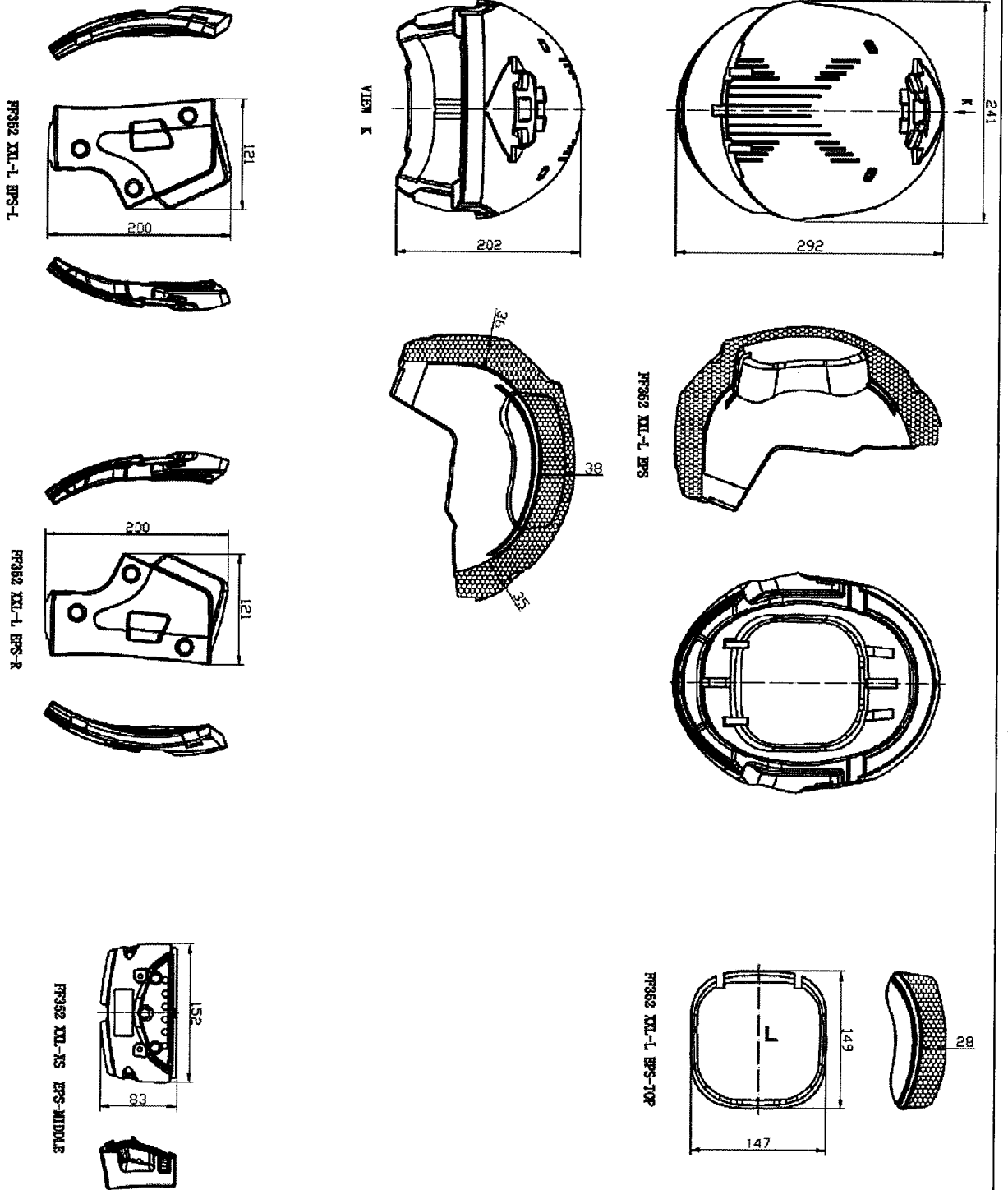
Page 8 of 18

# Jiangmen Pengcheng Helmets Ltd.

Information folder No. MHR-FF352-00

Application date: July 24, 2014

FF352 XXL-L EPS



DRW.

E13\*22R00877R05\*10201\*00

FF352-03

EPS details (XXL-L)

Société Nationale de Certification et d'Homologation

L-5201 SANDWEILER (Luxembourg)

Organisme accrédité OLAS EN 45011

Accréditation N° 5/001 (Portée communiquée sur le site)

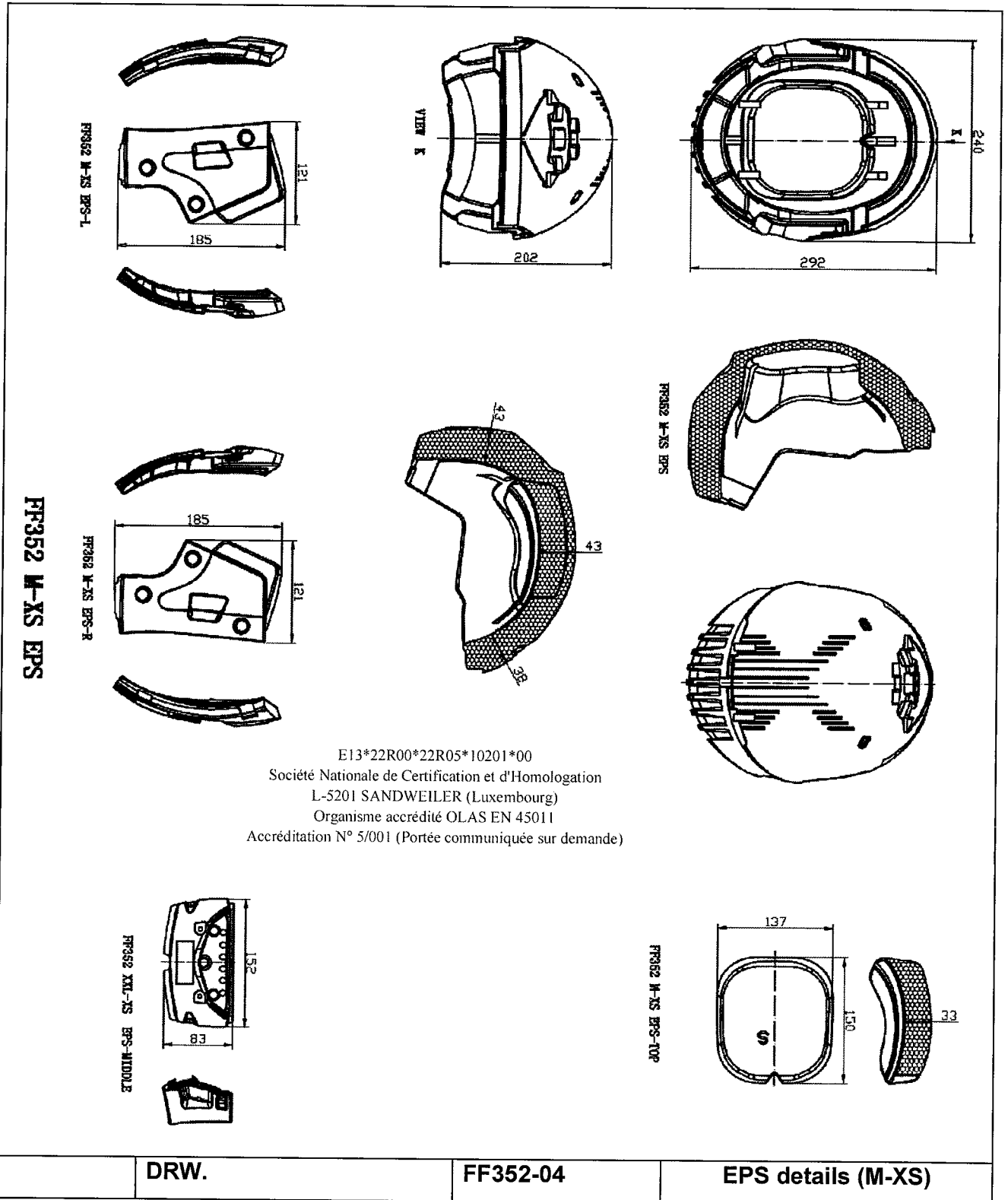
Type FF352

Page 9 of 18

# Jiangmen Pengcheng Helmets Ltd.

Information folder No. MHR-FF352-00

Application date: July 24, 2014



	Type	FF352
	Page	10 of 18

# Jiangmen Pengcheng Helmets Ltd.

Information folder No. MHR-FF352-00

Application date: July 24, 2014

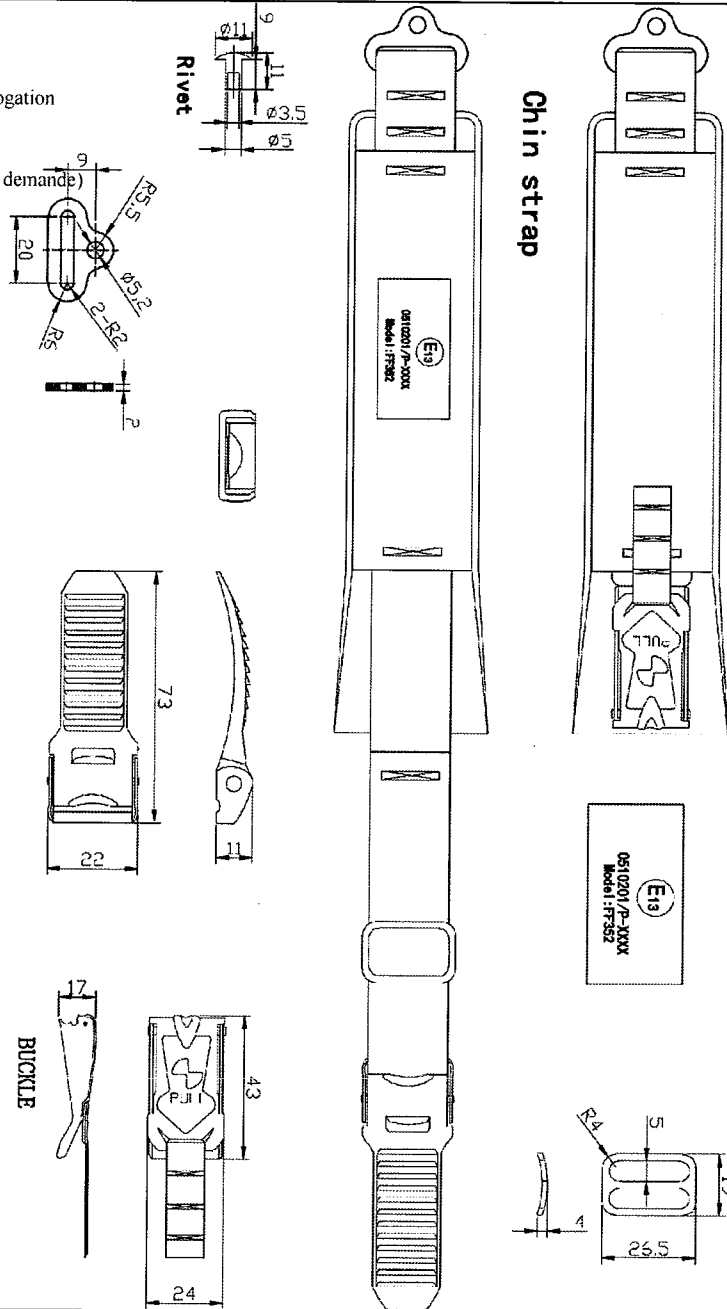
E13\*22R00\*22R05\*10201\*00

Société Nationale de Certification et d'Homologation

L-5201 SANDWEILER (Luxembourg)

Organisme accrédité OLAS EN 45011

Accréditation N° 5/001 (Portée communiquée sur demande)



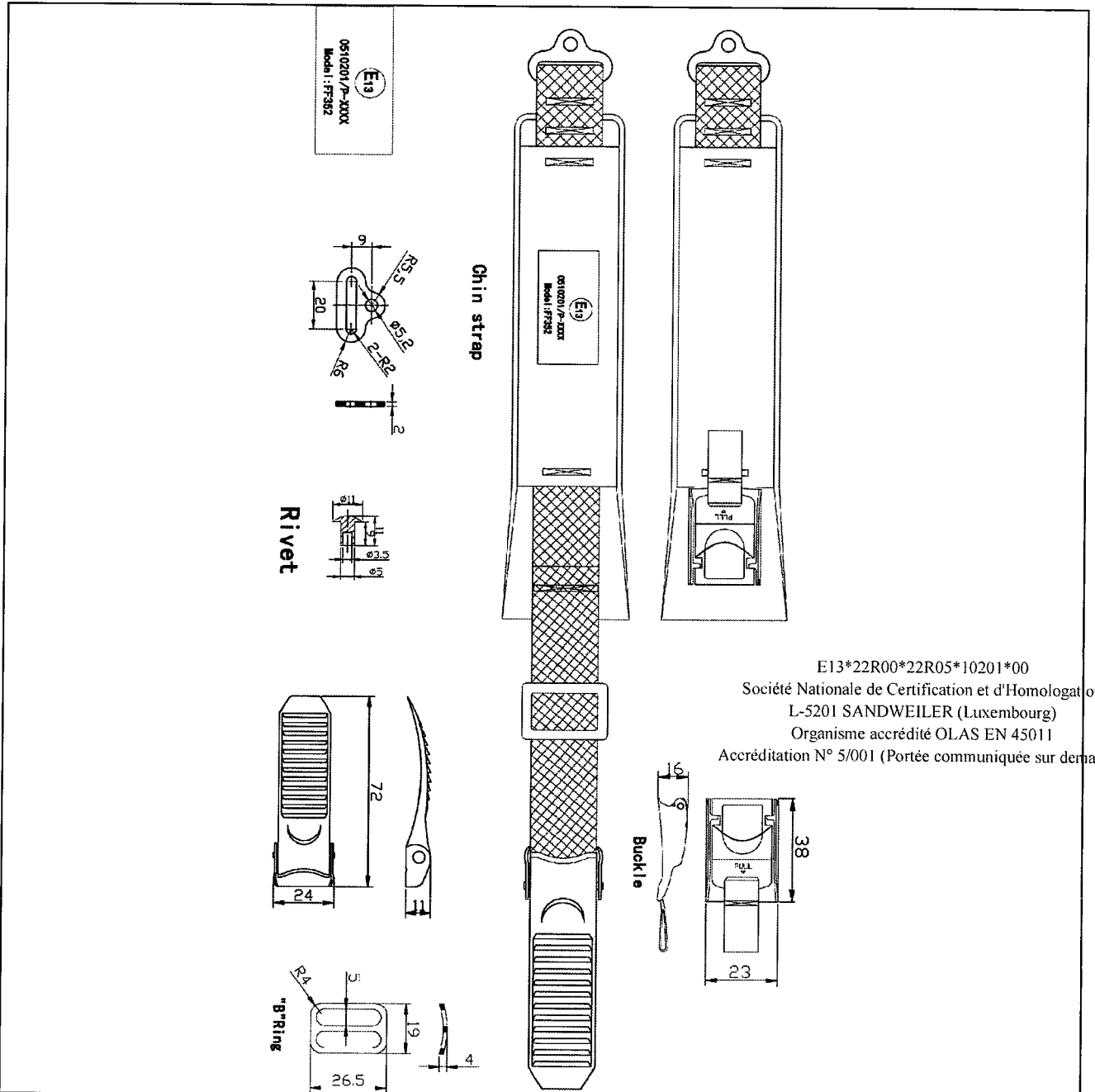
Part No.	Subject or name	Material
1	Buckle	A3
2	Sewing Line	Nylon
3	Chin strap	Nylon
	<b>DRW.</b>	<b>FF352-05</b>
		<b>Retention system (with No.15 buckle)</b>

	Type	FF352
	Page	11 of 18

# Jiangmen Pengcheng Helmets Ltd.

Information folder No. MHR-FF352-00

Application date: July 24, 2014



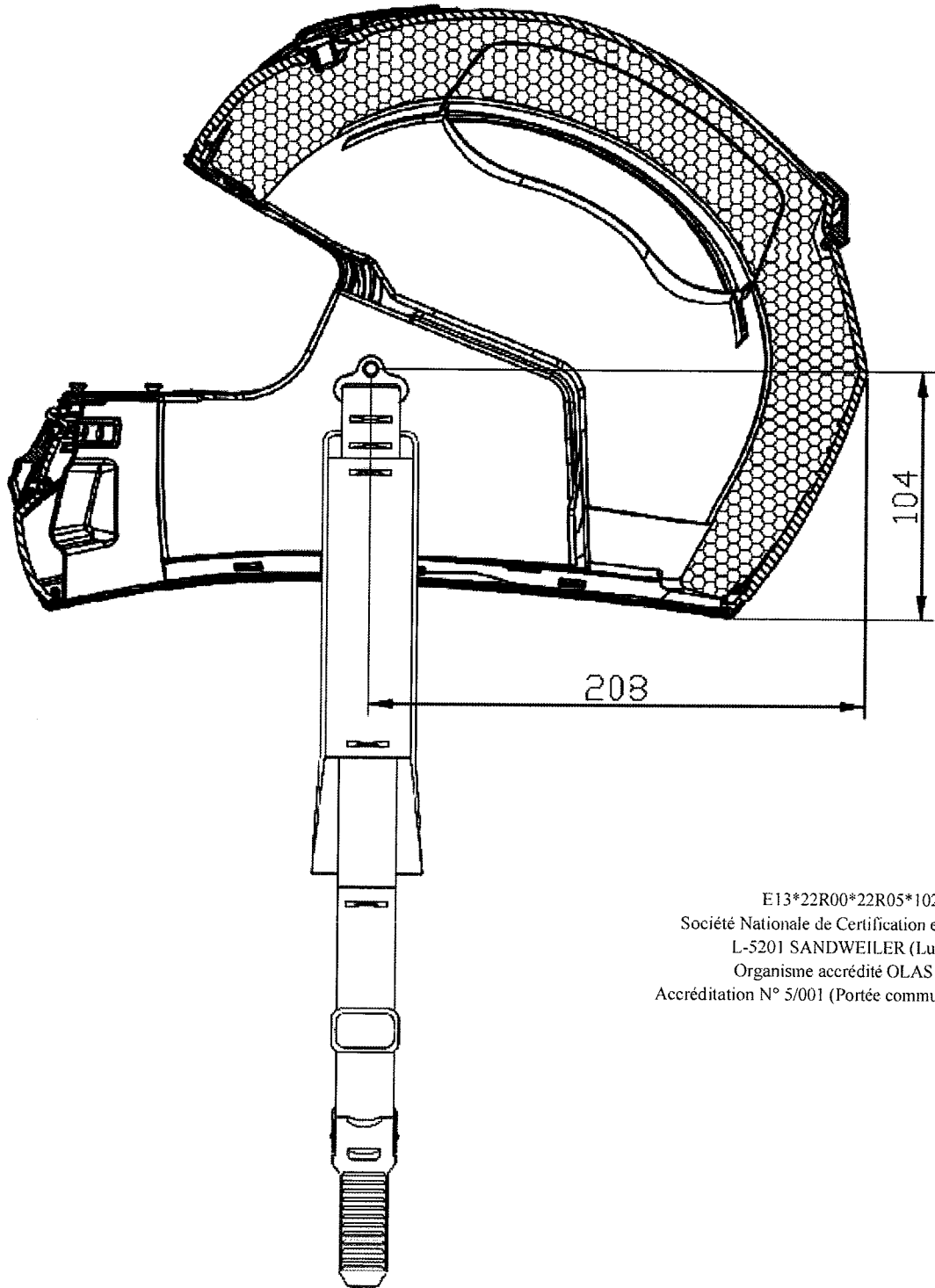
Part No.	Subject or name	Material
1	Buckle	A3
2	Sewing Line	Nylon
3	Chin strap	Nylon
	<b>DRW.</b>	<b>FF352-06</b>
		<b>Retention system (with No.17 buckle)</b>

	Type	FF352
	Page	12 of 18

# Jiangmen Pengcheng Helmets Ltd.

Information folder No. MHR-FF352-00

Application date: July 24, 2014



E13\*22R00\*22R05\*10201\*00  
Société Nationale de Certification et d'Homologation  
L-5201 SANDWEILER (Luxembourg)  
Organisme accrédité OLAS EN 45011  
Accréditation N° 5/001 (Portée communiquée sur demande)

DRW.	FF352-07	Retention system position
------	----------	---------------------------

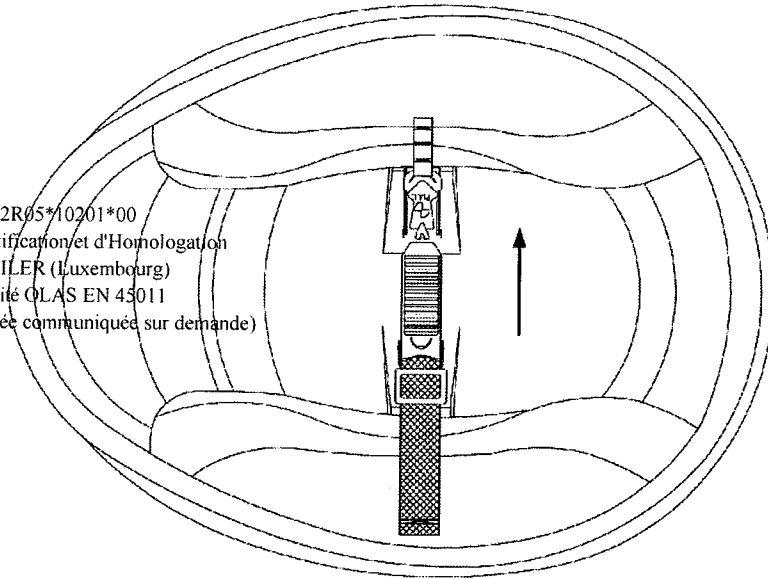
	Type	FF352
	Page	13 of 18

# Jiangmen Pengcheng Helmets Ltd.

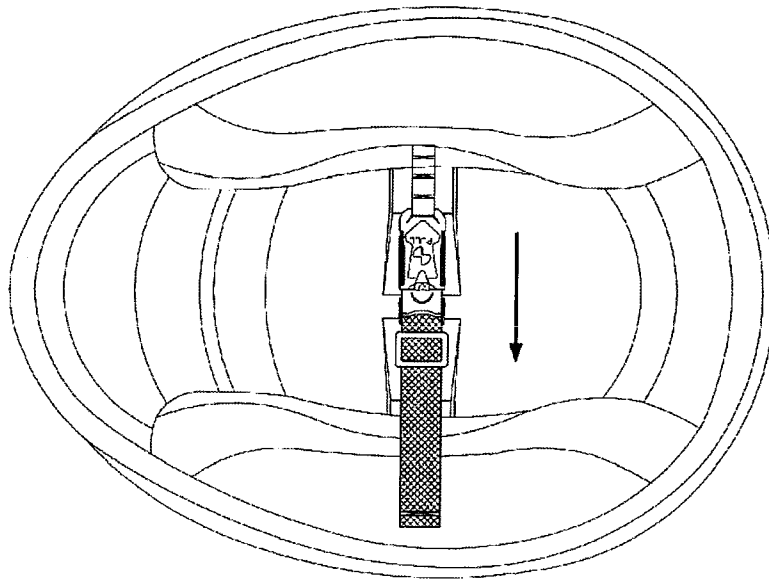
Information folder No. MHR-FF352-00

Application date: July 24, 2014

E13\*22R00\*22R05\*10201\*00  
Société Nationale de Certification et d'Homologation  
L-5201 SANDWEILER (Luxembourg)  
Organisme accrédité OLAS EN 45011  
Accréditation N° 5/001 (Portée communiquée sur demande)



I



II

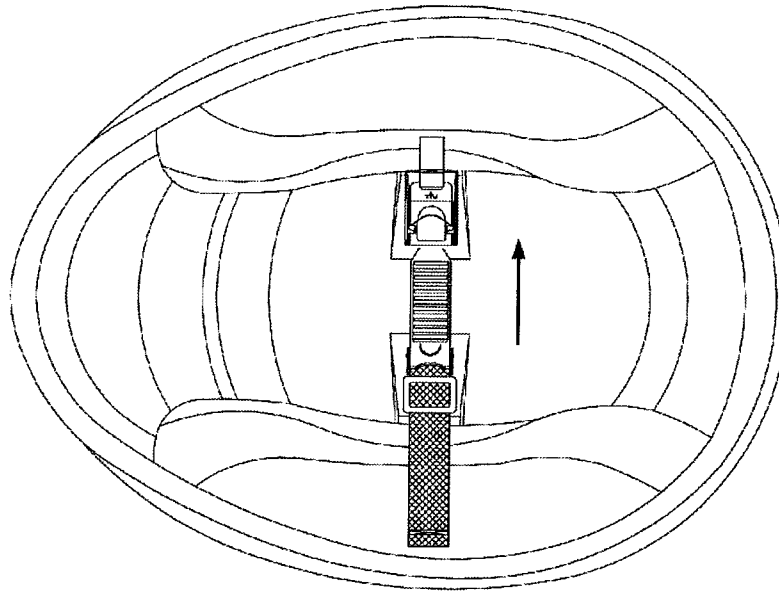
	DRW.	FF352-08	Retention system operation (with No.15 buckle)
--	------	----------	---

	Type	FF352
	Page	14 of 18

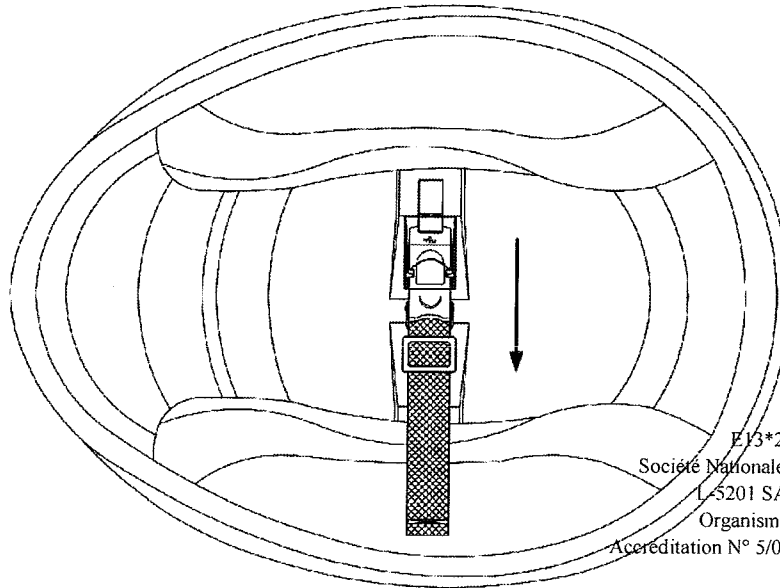
# Jiangmen Pengcheng Helmets Ltd.

Information folder No. MHR-FF352-00

Application date: July 24, 2014



I



II

FF3\*22R00\*22R05\*10201\*00  
Société Nationale de Certification et d'Homologation  
L-5201 SANDWEILER (Luxembourg)  
Organisme accrédité OLAS EN 45011  
Accréditation N° 5/001 (Portée communiquée sur demande)

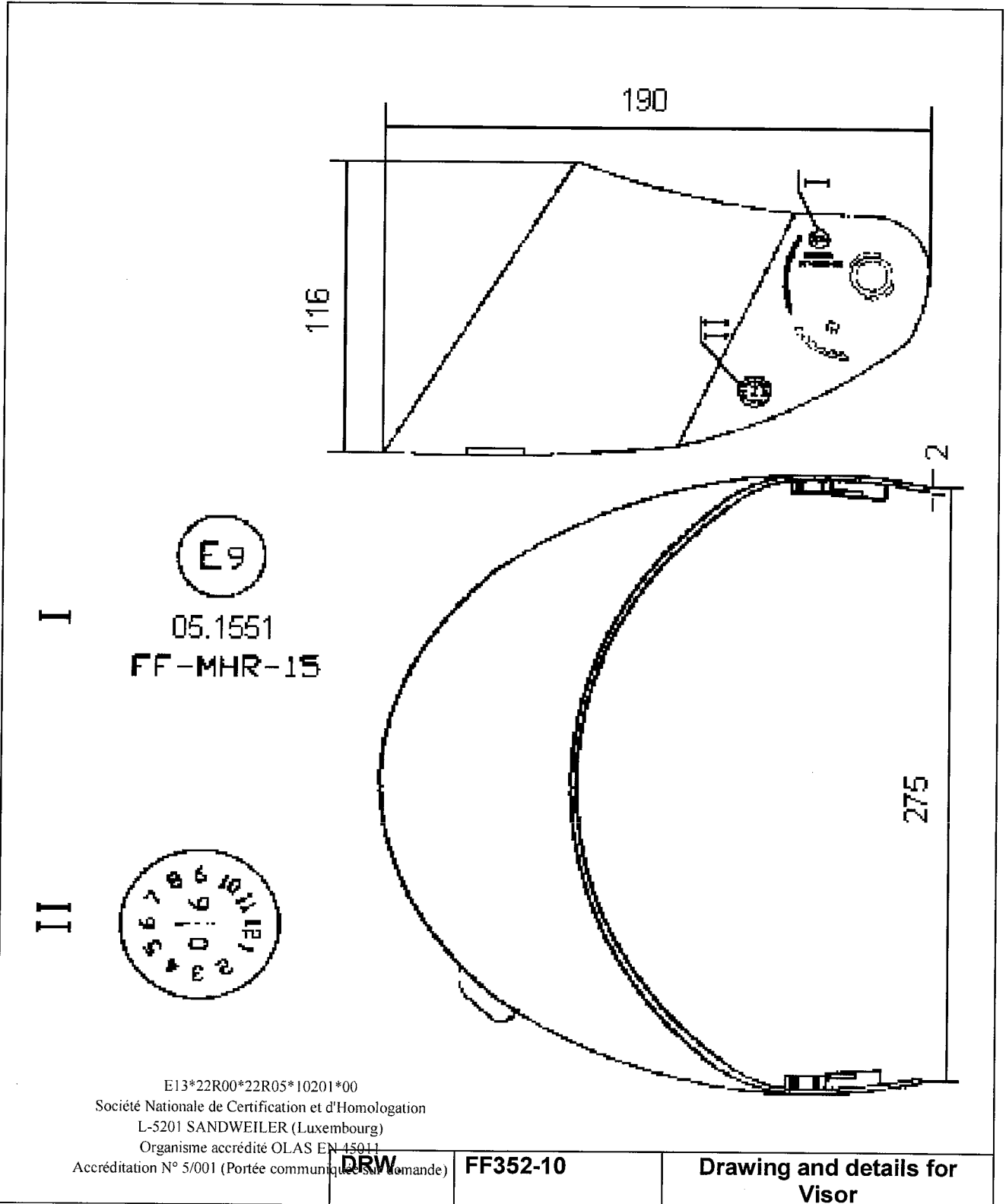
DRW.	FF352-09	Retention system operation (with No.17 buckle)
------	----------	---

	Type	FF352
	Page	15 of 18

# Jiangmen Pengcheng Helmets Ltd.

Information folder No. MHR-FF352-00

Application date: July 24, 2014



	Type	FF352
	Page	16 of 18

# Jiangmen Pengcheng Helmets Ltd.

Information folder No. MHR-FF352-00

Application date: July 24, 2014



**0510201/P-XXXX**  
**Model: FF352**

E13\*22R00\*22R05\*10201\*00  
Société Nationale de Certification et d'Homologation  
L-5201 SANDWEILER (Luxembourg)  
Organisme accrédité OLAS EN 45011  
Accréditation N° 5/001 (Portée communiquée sur demande)

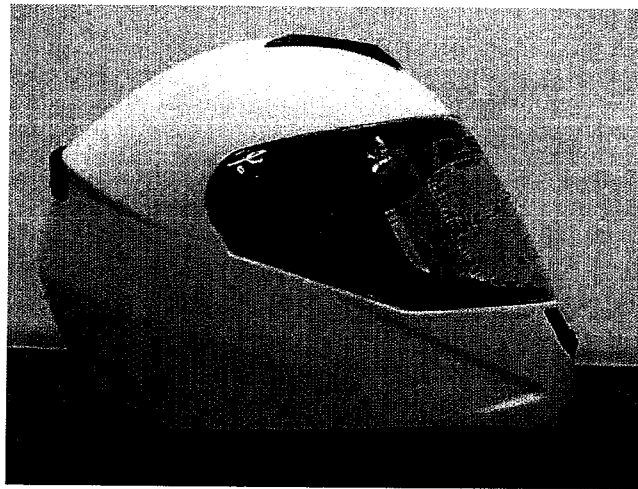
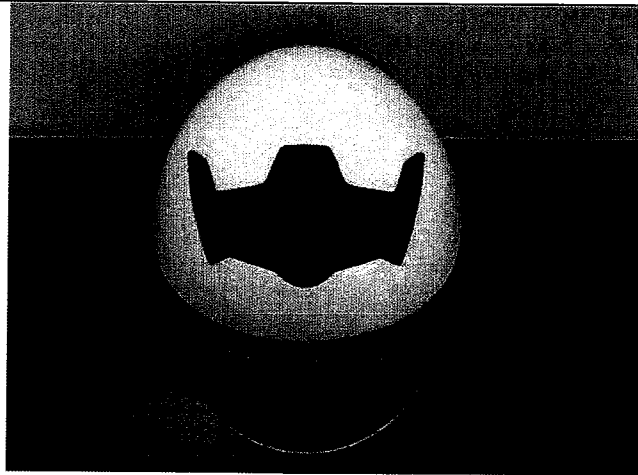
DRW.	FF352-11	Approval marking(s)
------	----------	---------------------

	Type	FF352
	Page	17 of 18

# Jiangmen Pengcheng Helmets Ltd.

Information folder No. MHR-FF352-00

Application date: July 24, 2014



E13\*22R00\*22R05\*10201\*00  
 Société Nationale de Certification et d'Homologation  
 L-5201 SANDWEILER (Luxembourg)  
 Organisme accrédité OLAS EN 45011  
 Accréditation N° 5/001 (Portée communiquée sur demande)

DRW.	FF352-12	Helmet assembly pictures
------	----------	--------------------------

	Type	FF352
	Page	18 of 18